

HARRINGTON
A KITO GROUP COMPANY



RY SERIES

ELECTRIC

WIRE ROPE

H O I S T S

Working Harder For You

In 1876, Edwin Harrington dramatically improved the self-sustaining hoist by introducing the worm-gear design. Since then, the company he founded has earned a proud reputation for product innovations and consistent quality that our customers count on to meet their diverse requirements.

Over the years we have developed and grown by recognizing the value of our customers and responding to your needs. The daily mission of our organization is to provide you, the customer, with the highest quality in our products, service and support.

In addition to our superior products and expanded facilities, we offer a Sales and Customer Service team that is dedicated to serving you, a well qualified Engineering Department to support your technical needs and a full support staff who all know the importance of working together to provide solutions for your material handling projects.

We are working harder to be the supplier-of-choice for all of your hoist and crane applications.

Table of Contents

RY Series Electric Wire Rope Hoists

Premium Features	4
Features and Benefits	6

RY Series Electric Wire Rope Hoists Ultra-Low Headroom Trolley Hoists

Standard Specifications and Dimensions	8
--	---

Options and Technical Data

RY Series Plug and Play Crane Kit Package	11
Bottom Hook Dimensions	12
Reaction Forces at Rated Load	13
Trolley Wheel Dimensions	14
Duty Classifications	15
Lifting Motor Ratings	15
Compliance	16
Product Code	16

RY Series Electric Wire Rope Hoists

Premium Features

UL® Listed

Certified and listed to UL 1340 “Standard for Hoists” and CSA 22.2 No. 33 “Construction and Test of Electric Cranes and Hoists.”



VFD Control – Hoist and Trolley

Soft start/stop minimizes load swing. High and low speed adjustability. Max ratio of 6:1. Includes standard count hour meter that records and displays the number of lifting/lowering starts and hoist on time for preventative maintenance.



Premium Wire Rope (IWRC, Coated Core)

Provides high resistance to fatigue and wear.



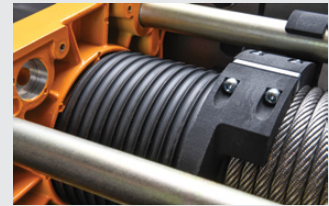
Full 360° Rope Guide

Made of a high strength polymer for durability, keeps the rope securely in the groove on the drum. Simple design makes replacement easy.



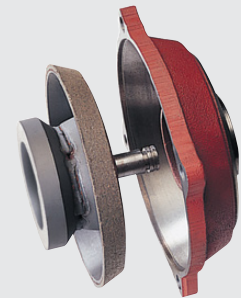
Rope Drum

Deep grooved, high strength drum for durability and long service life.



High Performance Motor Brakes

The Pull-Rotor motor brake on 3 and 5 Ton and Magnetic Disc Brake on 7.5 and 10 Ton provide reliable operation and exceptional durability. **5-year hoist brake warranty.**



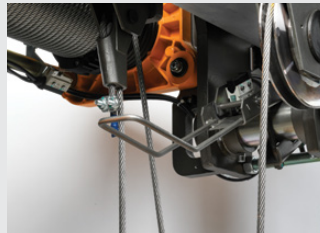
Externally Adjustable Upper/Lower Limit Switches

Set the range of operation with easy adjustment.



Standard Upper Emergency Paddle Limit

Secondary limit independent of drum rotation to comply with US Safety Standard ASME B30.



Heavy Duty – Fan Cooled Hoist Motor

With class F insulation and a ribbed frame for maximum cooling and durability. IP55 rating ensures a high level of protection from the entrance of dust and water. H4 rated hoist, 60 minute duty rating.



Standard Guide Rollers and Rubber Trolley Bumpers

Guide rollers reduce wheel friction and noise while providing smooth travel and increased life of wheel and beam. Rubber trolley bumpers provide protection from collisions.



No Load High Speed Function

Operates at 1.5 times the standard high speed with a load less than 25% of rated capacity.



Externally Adjustable Trolley Motor and Brake

IP55 totally enclosed non ventilated (TENV) motor with cooling fins ensures protection from dust and water and enhances motor life.



RY Series Electric Wire Rope Hoists

No Load High Speed Function

Operates at 1.5 times the standard high speed with a load less than 25% of rated capacity.

Rope Drum

Deep grooved, high strength drum for durability and long service life.

Premium Wire Rope (IWRC, Coated Core)

Provides high resistance to fatigue and wear.

Full 360° Rope Guide

Made of a high strength polymer for durability, keeps the rope securely in the groove on the drum. Simple design makes replacement easy.

Externally Adjustable Upper/Lower Limit Switches

Set the range of operation with easy adjustment.

Upper Emergency Paddle Limit

Secondary limit independent of drum rotation to comply with US Safety Standard ASME B30.

Externally Adjustable Trolley Motor and Brake

IP55 totally enclosed non ventilated (TENV) motor with cooling fins ensures protection from dust and water and enhances motor life.

Operating Conditions

Recommended for -4° to +104° F and humidity of 90% or less.

Electronic Overload Limiter
Detects overload instantaneously and shuts off the circuit for lifting.

Standard Rubber Trolley Bumpers
Provides protection from collisions.

Built-In Drop Stops
Security for the operator and the equipment.

Standard Guide Rollers
Reduce wheel friction and noise while providing smooth travel and increased life of wheel and beam.

VFD Control – Hoist and Trolley
Soft start/stop minimizes load swing. High and low speed adjustability. Max. ratio of 6:1.

Count Hour Meter
Records and displays the number of starts and hoist on time which is valuable for preventive maintenance. Integral to the VFD.

Heavy Duty Hoist Motor
Totally enclosed fan cooled (TEFC) motor with class F insulation and a ribbed frame for maximum cooling and durability. IP55 rating ensures a high level of protection from the entrance of dust and water.

Electronic Thermal Motor Protection
Detects overheating and stops the motor.

High Performance Motor Brakes
The Pull-Rotor motor brake on 3 and 5 Ton and Magnetic Disc Brake on 7.5 and 10 Ton provide reliable operation and exceptional durability. **5-year hoist brake warranty.**

RY Series Electric Wire Rope Ultra-Low Headroom Trolley Hoists



5 Ton

Harrington's RY Series wire rope hoists are designed for safety, reliability and performance. These ultra-low headroom trolley hoists have an H4 duty rating for high demand applications and comes standard with VFD controls for ultimate lifting and lowering accuracy.

Features and Benefits

UL® Listed**

Certified and listed to UL 1340 "Standard for Hoists" and CSA 22.2 No. 33 "Construction and Test of Electric Cranes and Hoists."

VFD Control - Hoist and Trolley

Soft start/stop minimizes load swing. High and low speed adjustability. Max. ratio of 6:1.

No Load High Speed Function

Operates at 1.5 times the standard high speed with a load less than 25% of rated capacity.

Premium Wire Rope (IWRC, Plastic Coated Core)

Provides high resistance to fatigue and wear.

Full 360° Rope Guide

Made of a high strength polymer for durability, keeps the rope securely in the groove on the drum. Simple design makes replacement easy.

Rope Drum

Deep grooved, high strength drum for durability and long service life.

High Performance Pull-Rotor Motor Brake

Extremely durable and reliable, this advanced design contains no brake coil to fail like conventional disc brakes. **5-year hoist brake warranty.**

Externally Adjustable Upper/Lower Limit Switches

Set the range of operation with easy adjustment.

Electronic Overload Limiter

Detects overload instantaneously and shuts off the circuit for lifting.

Standard Upper Emergency Paddle Limit

Secondary limit independent of drum rotation to comply with US Safety Standard ASME B30.

Heavy Duty - Fan Cooled Hoist Motor

Totally enclosed fan cooled (TEFC) motor with class F insulation and a ribbed frame for maximum cooling and durability. IP55 rating ensures a high level of protection from the entrance of dust and water.

Standard Rubber Trolley Bumpers

Provides protection from collisions.

Externally Adjustable Trolley Motor and Brake

IP55 totally enclosed non ventilated (TENV) motor with cooling fins ensures protection from dust and water and enhances motor life.

Electronic Thermal Motor Protection

Detects overheating and stops the motor

Count Hour Meter

Records and displays the number of starts and hoist on time which is valuable for preventive maintenance. Integral to the VFD.

Standard Guide rollers

Reduced wheel friction and noise providing smooth travel and increased life of wheel and beam.

Built-In Drop Stops

Security for the operator and the equipment.

Trolley Wheels

Fit flat or tapered beam flange.

Standard Hoist/Trolley Specifications

Capacity Range

3 – 10 Ton

Standard Voltage

(208-230)-3-50/60
460-3-50/60

Control Voltage

110V

Duty Cycle*

60 min

Ratings

Hoist/Trolley – IP55

Classification

ASME H4
ISO M5 or M4
FEM 2M or 1Am

Conformance**

UL1340, 508, 508A, 1004
ASME B30.16, B30.17, HST-4
CMAA 74
CSA 22.2 (33, 14-13, 66), B167

Operating Conditions

Recommended for -4° to +104° F and humidity of 90% or less.

Mounting

Ultra-Low Headroom

Wheels

Will operate on a tapered or flat beam flange.

Pendant

Optional
IP65 (NEMA 3R) or NEMA 4 (both with emergency on/off)

Pendant Cord

Optional

Power Supply Cord

Optional

Flange Extension Kit – (Installed)

Optional

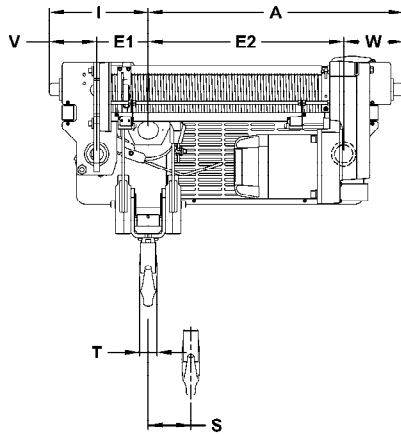
*See page 15 for additional information.

** Standard models shipped with UL listing – Contact Customer Service

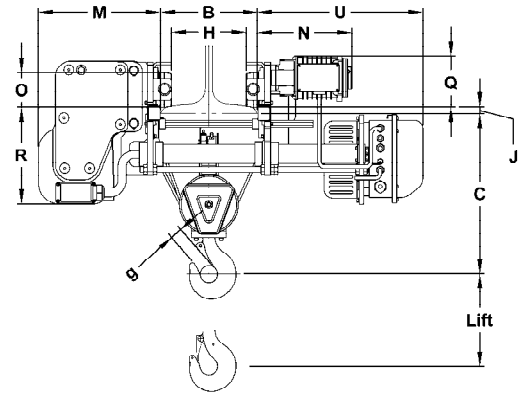
HARRINGTON RY SERIES ELECTRIC WIRE ROPE HOISTS



5 Ton



5 Ton



ULTRA-LOW HEADROOM TROLLEY HOISTS — SPECIFICATIONS

Capacity (Tons)	Product Code	Lift (ft)	Flange Range B (in)	Reeving (parts/ reeving)	Rope (mm)	Lifting Motor 3 Phase – 50/60Hz						Traversing Motor 3 Phase – 50/60Hz				Net Weight (lbs.)		
						Lifting Speed ¹ (ft/min)		Output (Hp)	Rated Current ² (amps)			Traversing Speed ² (ft/min)	Output (Hp)	Rated Current (amps) ²				
						Initial High/ Low Speed	No Load High Speed		@208V/ 60Hz	@230V/ 60Hz	@460V/ 60Hz			@208V/ 60Hz	@230V/ 60Hz		@380V/ 50Hz	@460V/ 60Hz
						Initial High/ Low Speed	No Load High Speed	Output (Hp)	@208V/ 60Hz	@230V/ 60Hz	@460V/ 60Hz	Initial High/ Low Speed	Output (Hp)	@208V/ 60Hz	@230V/ 60Hz		@380V/ 50Hz	@460V/ 60Hz
3	RYU030A25HDD	25	4.92-13.78	4/1	9	26/4.3	39	6.7	24.7	22.9	12.1	66/11	0.54	1.5	2.1	1.7	1.4	960
			13.79-19.68															971
	RYU030A33HDD	33	4.92-13.78															1048
			13.79-19.68															1059
5	RYU050B25HDD	25	4.92-13.78	4/1	9	26/4.3	39	10.7	36.5	34.0	18.3	66/11	0.54	1.5	2.1	1.7	1.4	993
			13.79-19.68															1004
	RYU050B33HDD	33	4.92-13.78															1092
			13.79-19.68															1103
7.5	RYU075C30HDD	30	5.9-13.78	4/1	13	20/3.3	30	17.7	43.4	39.6	19.0	66/11	1.0	3.9	4.4	2.5	2.6	2227
			13.79-20.00															2258
	RYU075C40HDD	40	5.9-13.78															2397
			13.79-20.00															2428
10	RYU100C30HDD	30	5.9-13.78	4/1	13	20/3.3	30	17.7	56.1	51.4	24.8	66/11	1.0	3.9	4.4	2.5	2.6	2227
			13.79-20.00															2258
	RYU100C40HDD	40	5.9-13.78															2397
			13.79-20.00															2428

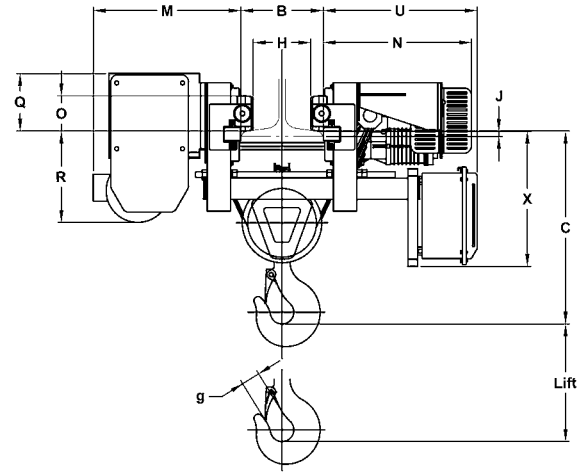
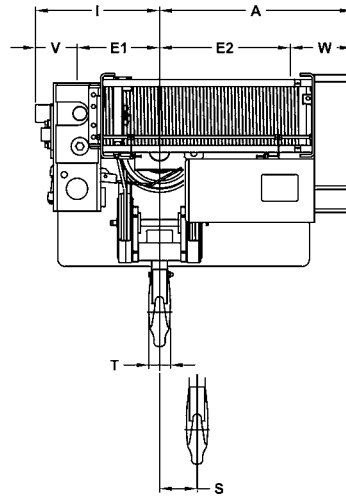
① 2 = 208V-230V – 3ph – 50/60Hz
4 = 460V – 3ph – 50/60Hz

1) Low and high speeds are adjustable
2) Current values based on 250 kVA power supply

RY Series Electric Wire Rope Ultra-Low Headroom Trolley Hoists



10 Ton



10 Ton

ULTRA-LOW HEADROOM TROLLEY HOISTS — DIMENSIONS

Capacity (Tons)	Product Code	Lift (ft)	Flange Range B (in)	Dimensions (in)																	
				A	C	E1	E2	g	H	I	J	M	N	O	Q	R	S	T	U	V	W
3	RYU030A25HDD ^①	25	4.92-13.78	36.3	25.0	7.3	27.8	1.7	B-3.1	14.1	1.3 or less	17.4	13.5	4.92	7.3	13.7	6.1	32.4-23.6	6.7	8.5	13.7
			13.79-19.68														2.1	29.5-23.6			
	4.92-13.78	8.1	32.4-23.6																		
	13.79-19.68		29.5-23.6																		
5	RYU050B25HDD ^①	25	4.92-13.78	36.3	25.6	7.3	27.8	1.8	B-3.1	14.1	1.3 or less	17.4	13.5	4.92	7.3	13.7	6.1	32.4-23.6	6.7	8.5	13.7
			13.79-19.68														2.5	29.5-23.6			
	4.92-13.78	8.1	32.4-23.6																		
	13.79-19.68		29.5-23.6																		
7.5	RYU075C30HDD ^①	30	5.9-13.78	32.3	32.3	13.4	21.6	2.8	B-4.1	20.8	1.6 or less	24.7	24.8	5.9	9.6	15.3	6.3	33.6-25.8	7.4	10.7	22.6
			13.79-20.00														3.5	31.7-25.8			
	5.9-13.78	8.4	33.6-25.8																		
	13.79-20.00		31.7-25.8																		
10	RYU100C30HDD ^①	30	5.9-13.78	32.3	32.3	13.4	21.6	2.8	B-4.1	20.8	1.6 or less	24.7	24.8	5.9	9.6	15.3	6.3	33.6-25.8	7.4	10.7	22.6
			13.79-20.00														3.5	31.7-25.8			
	5.9-13.78	8.4	33.6-25.8																		
	13.79-20.00		31.7-25.8																		

① 2 = 208V-230V - 3ph - 50/60Hz
4 = 460V - 3ph - 50/60Hz

RY Series Plug and Play Crane Kit Packages

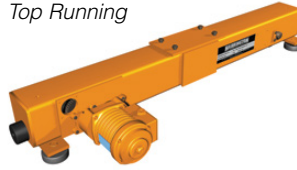
TROLLEY HOIST



- H4 rated hoist, 60 minute duty rating for the most demanding applications
- The Pull-Rotor Motor Brake on 3 and 5 Ton and Magnetic Disc Brake on 7.5 and 10 Ton provide reliable operation and exceptional durability with a **5-year hoist brake warranty**
- High and low speed adjustability via under-the-cover variable frequency control. Max. ratio of 6:1
- No load high speed hoist function for operation at 1.5 times the standard high speed when the load is less than 25% of rated capacity
- Standard upper emergency paddle limit is a secondary limit independent of drum rotation
- Premium wire rope (IWRC coated core) provides high resistance to fatigue and wear

END TRUCKS

Top Running

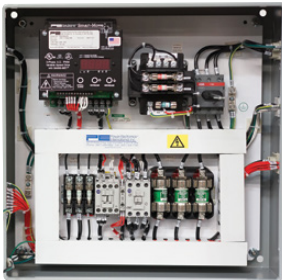


Underhung



- Totally enclosed non-ventilated (TENV) motors with adjustable DC brakes
- Helical gear reducers
- Externally adjustable DC brakes allow controlled deceleration
- Thermal motor protection
- Rubber bumpers
- Rail sweeps
- Machined steel wheels with side guide rollers that reduce wheel friction

BRIDGE CONTROL PANEL



- Field adjustable UL listed Power Electronics® variable frequency drive on bridge motors
- Completely pre-wired and tested
- Through-the-door fused disconnect switch
- Control transformer with primary and secondary fusing
- Mainline contactor
- Thermal overload relay

FLAT CABLE FESTOONING



- Flat cable power festoon for smooth trolley travel
- Flat cable roving pendant provides safe and effective handling without close proximity to the load
- Completely pre-wired and tested
- Modular design for easy packaging and installation

RY SERIES PLUG AND PLAY CRANE KIT PACKAGES:

End Trucks

40 FPM or 80 FPM with VFD control

Hoist Capacity

3–10 Ton

(Hoist connection is hard wired flat cable)

Hoist and Trolley

Dual speed VFD controlled

High and low speed adjustability

Max. ratio of 6:1

Lift

25' or 33' (3–5 Ton)

30' or 40' (7.5–10 Ton)

Beam Accessory Kit

Includes all braces, mounting plates, guide wire brackets, end stops, control panel extension brackets when applicable, hardware and instructions

Bridge Control Panel

UL listed Power Electronics® VFD Control Panel with plug and play connections

Crane Wiring

Complete package

Flat Cable Festooning

Complete Package for power and roving pendant

Pendant

8-button with on/off

Voltage

460-3-60 (Consult Customer Service for alternate voltages)

Bridge Beam NOT Included

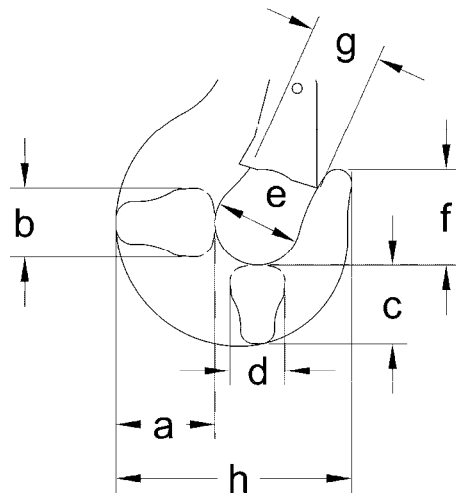
Consult Customer Service for alternate span requirements or recommended bridge beam sizes.

Options and Technical Data

BOTTOM HOOK—DIMENSIONS

Capacity (Tons)	Product Code	a (in)	b (in)	c (in)	d (in)	e (in)	f (in)	g (in)	h (in)
3	RYU030A25HDD ^①	2.6	2.1	2.3	1.8	2.5	2.8	1.7	6.7
	RYU030A33HDD ^①								
5	RYU050B25HDD ^①	3.2	2.5	2.6	2.1	2.8	3.2	1.8	7.6
	RYU050B33HDD ^①								
7.5	RYU075C30HDD ^①	4.4	3.5	3.7	3.0	3.9	4.5	2.8	10.9
	RYU075C40HDD ^①								
10	RYU100C30HDD ^①	4.4	3.5	3.7	3.0	3.9	4.5	2.8	10.9
	RYU100C40HDD ^①								

① 2 = 208V-230V - 3ph - 50/60Hz
4 = 460V - 3ph - 50/60Hz

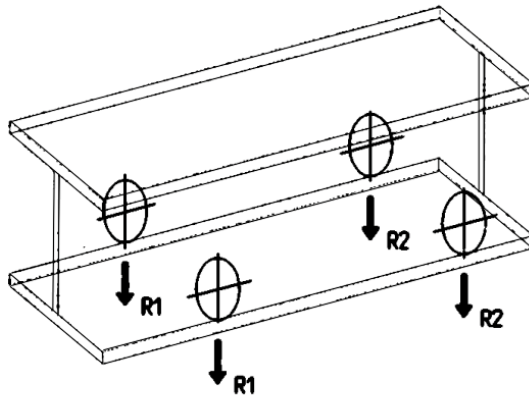


Options and Technical Data

REACTION FORCES AT RATED LOAD

Capacity (Tons)	Ultra-Low Headroom Trolley Hoists Wheel Reaction Forces			
	Product Code	Flange Range B (in)	R1 (lb)	R2 (lb)
3	RYU030A25HDD ^①	4.92-13.78	2994	789
		13.82-19.68	2999	790
	RYU030A33HDD ^①	4.92-13.78	3182	645
		13.82-19.68	3187	646
5	RYU050B25HDD ^①	4.92-13.78	4751	1252
		13.82-19.68	4755	1253
	RYU050B33HDD ^①	4.92-13.78	5032	1020
		13.82-19.68	5037	1021
7.5	RYU075C30HDD ^①	5.9-13.78	5797	3586
		13.79-20.00	5806	3592
	RYU075C40HDD ^①	5.9-13.78	6555	2913
		13.79-20.00	6566	2917
10	RYU100C30HDD ^①	5.9-13.78	7500	4639
		13.79-20.00	7509	4645
	RYU100C40HDD ^①	5.9-13.78	8463	3760
		13.79-20.00	8474	3765

① 2 = 208V-230V - 3ph - 50/60Hz
4 = 460V - 3ph - 50/60Hz



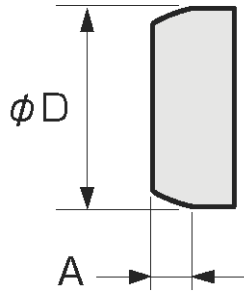
Trolley Hoist Wheel Reaction Forces

Options and Technical Data

TROLLEY WHEEL—DIMENSIONS

Capacity (Tons)	Product Code	A (in)	ϕD (in)
3	RYU030A25HDD ^①	0.79	3.86
	RYU030A33HDD ^①		
5	RYU050B25HDD ^①	0.79	3.86
	RYU050B33HDD ^①		
7.5	RYU075C30HDD ^①	1.42	5.91
	RYU075C40HDD ^①		
10	RYU100C30HDD ^①	1.42	5.91
	RYU100C40HDD ^①		

① 2 = 208V-230V - 3ph - 50/60Hz
4 = 460V - 3ph - 50/60Hz



Options and Technical Data

DUTY CLASSIFICATIONS

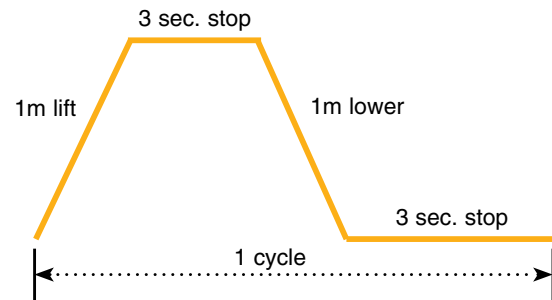
Hoist Duty Class	Typical Areas of Application	Operation Time Ratings at K = 0.65*			
		Uniformly Distributed Work Periods		Infrequent Work Periods	
		Max. Time (min/hr)	Max. No. of Starts/hr	Max. Time From Cold Start (min)	Max. No. of starts
H2	Light machine shop fabricating, service and maintenance; loads and utilization randomly distributed; rated loads infrequently handled	7.5 (12.5%)	75	15	100
H3	General machine shop fabricating, assembly, storage, and warehousing; loads and utilization randomly distributed	7.5 (25%)	150	30	200
H4	High volume handling in steel warehouses, machine shops, fabricating plants and mills, and foundries; manual or automatic cycling operations in heat treating and plating; loads at or near rated load frequently handled	30 (50%)	300	30	300

*K = Mean effective load factor.

LIFTING MOTOR RATINGS

Short Time Rating

This rating indicates how long the hoist can be operated continuously at the rated capacity on the cycle below, assuming continued operation for a short time span.

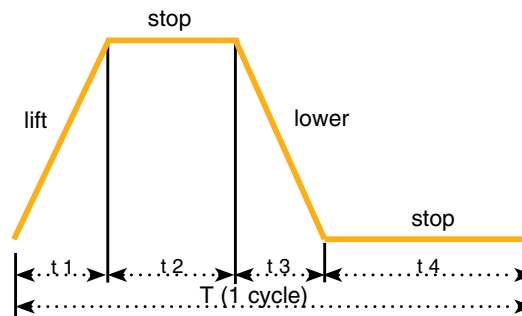


• Dual speed: 30/10 min

Intermittent Rating (Percent ED)

Max. Number of Starts Per Hour

This rating indicates the allowable ratio of motor ON time to motor OFF time, and starts per hour for a hoist operated continuously at 63% of rated capacity on the cycle below, assuming continued operation or repeated starting over a long time span.



$$\text{Example (single speed): \%ED} = \frac{\text{Motor ON time (t1 + t3)}}{T (1 \text{ cycle})} \times 100$$

(Where T = 1 cycle (t1 + t2 + t3 + t4) and is not more than 10 minutes.)

Options and Technical Data

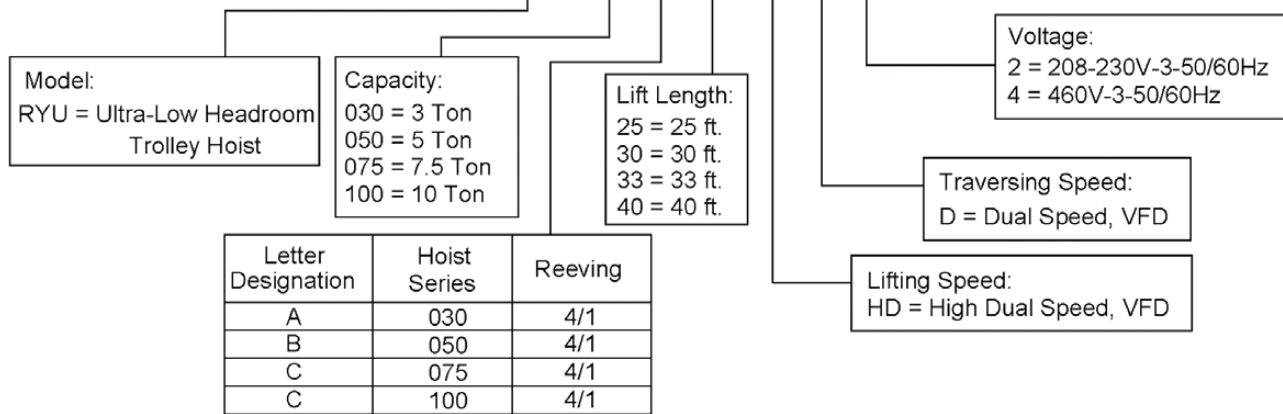
COMPLIANCE

Harrington's RY Hoists are produced to comply with the following standards:

- NFPA 70 "National Electric Code"
- ASME B30.16, "Safety Standard – Overhead Hoists (Underhung)"
- ASME HST-4, "Performance Standard for Overhead Electric Wire Rope Hoists"
- RY hoists in standard configurations (including certain options) are certified to UL 1340 "Standard for Hoist", CSA 22.2 No. 33

PRODUCT CODE

RYU 050 B 25 HDD 4

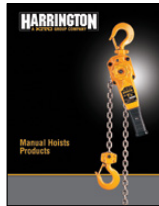


Notes

Notes

Complete Product Offering

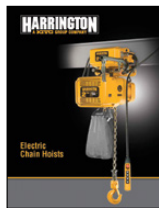
Over the years Harrington has continued to respond to the needs of our customers by further expanding our product offerings. In addition to the many models described in this catalog, our full series of product catalogs, as shown below, will provide you with all of the information you will need to answer questions, specify a product and place an order. For catalog copies or answers to specific product questions, please contact our Customer Service Department by calling 800-233-3010 or e-mail customerservice@harringtonhoists.com



Manual Hoist Products Catalog

Refer to this Harrington catalog for detailed information on the following:

- Lever hoists
- Hand chain hoists
- Hoist and trolley combinations
- Low headroom trolley hoists
- Push and geared trolleys
- Hoist load testers



Electric Chain Hoists Catalog

Refer to this Harrington catalog for detailed information on the following:

- Three phase electric hoists and trolleys
- Single phase electric hoists and trolleys
- Ergonomic electric hoists



Air Powered Hoists Catalog

Refer to this Harrington catalog for detailed information on the following:

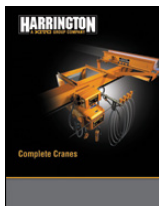
- Compact Mini-Cat with pendant, cord and manipulator controls
- Air hoists with pendant and cord controls
- Air trolleys



Crane Components Catalog

Refer to this Harrington catalog for detailed information on the following:

- End trucks-top running-motorized, geared and push
- End trucks-underhung-motorized, geared and push
- Double girder MAX-E-Lift end trucks
- Convertible push end trucks
- Beam accessory kits



Complete Cranes Catalog

Refer to this Harrington catalog for detailed information on the following:

- Heavy-duty Class C single girder top running and underhung cranes
- Heavy-duty Class C double girder top running and underhung cranes
- Medium-duty top running and underhung push cranes
- Crane control panels

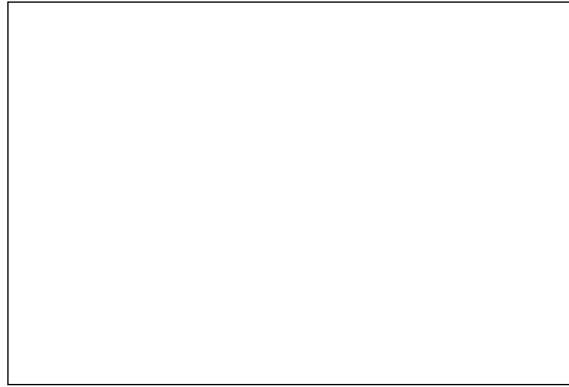


Below-The-Hook and Material Handling Equipment

Refer to this Harrington catalog for detailed information on the following:

- Lifting beams and spreader beams
- Roll lifters, coil lifters and tongs
- Sheet lifters and pallet lifters
- Fork truck accessories
- Material stands and material baskets

CONTACT YOUR NEARBY HARRINGTON DISTRIBUTOR



Warranty

All products sold by Harrington Hoists, Inc. are warranted to be free from defects in material and workmanship from date of shipment by Harrington for the following periods:

1 year—Electric and Air Powered Hoists (excluding (N)ER2 Enhanced Features Models, EQ/SEQ Hoists), Powered Trolleys, Powered Tiger Track Jibs and Gantries, Crane Components, Spare/Replacement Parts, Below-The-Hook and Material Handling Equipment

2 years—Manual Hoists & Trolleys, Beam Clamps

3 years—(N)ER2 Enhanced Features Model Hoists, EQ/SEQ Hoists, RY Wire Rope Trolley Hoists

5 years—Manual Tiger Track Jibs and Gantries, TNER, EQ/SEQ Pull-Rotor Brakes and RY Motor Brakes

10 years—(N)ER2 “The Guardian” Smart Brake

The product must be used in accordance with manufacturer’s recommendations and must not have been subject to abuse, lack of maintenance, misuse, negligence, or unauthorized repairs or alterations.

Should any defect in material or workmanship occur during the above time period in any product, as determined by Harrington Hoist’s inspection of the product, Harrington Hoists, Inc. agrees, at its discretion, either to replace (not including installation) or repair the part or product free of charge and deliver said item F.O.B. Harrington Hoists, Inc. place of business to customer.

Customer must obtain a Return Goods Authorization as directed by Harrington or Harrington’s published repair center prior to shipping product for warranty evaluation. An explanation of the complaint must accompany the product. Product must be returned freight prepaid. Upon repair, the product will be covered for the remainder of the original warranty period. Replacement parts installed after the original warranty period will only be eligible for replacement (not including installation) for a period of one year from the installation date. If it is determined there is no defect, or that the defect resulted from causes not within the scope of Harrington’s warranty, the customer will be responsible for the costs of returning the product.

Harrington Hoists, Inc. disclaims any and all other warranties of any kind expressed or implied as to the product’s merchantability or fitness for a particular application. Harrington will not be liable for death, injuries to persons or property or for incidental, contingent, special or consequential damages, loss or expense arising in connection with the use or inability whatever, regardless of whether damage, loss or expense results from any act or failure to act by Harrington, whether negligent or willful, or from any other reason.

Harrington Hoists, Inc.
401 West End Avenue
Manheim, PA 17545



Toll Free: 800-233-3010
Phone: 717-665-2000
Fax: 717-665-2861

